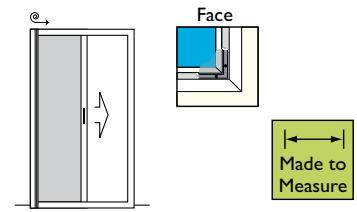




# Roller Screen for Doors 700 Series Side Mounted - Pull Across

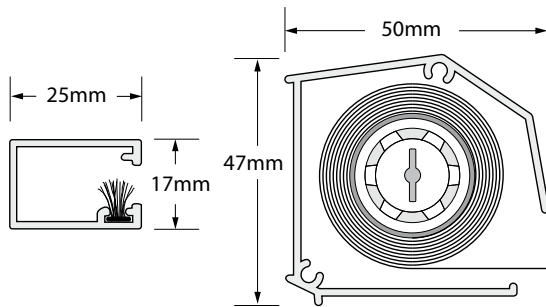


## Features

- Face Fits on to existing door frame.
- Can be fitted inside or outside (if your door opens out the screen will be fitted inside and vice versa).
- The mesh screen is operated using a full height handle bar that is pulled across until it is held by magnets in the side tracks.
- Handle bar can be operated from both sides (inside and outside).
- Cartridge and side tracks in white powder coated aluminium.
- Brush pile in side tracks and along handle bar to create seal.
- Black insect mesh
- Maximum size 1100mm wide x 2350mm high.
- For wider doors 2 roller screens can be fitted to meet in the middle.

## Benefits

- Mesh screen retracts smoothly into cartridge when not in use.
- Discreet low profile side tracks at the top and bottom.
- Ideal for use in the home or office.
- Easy access to open and close doors.
- Made to measure (supplied ready for you to fit).



## Measuring Single Door for Face Fitting

The height of the cartridge is the critical measurement – it cannot be changed after it has been made. The side tracks need to be face fitted. It may be necessary to raise the threshold or fit a batten to accommodate the bottom track.

In order to operate the handle from both sides the handle bar should overlap the door aperture by 10mm.

Measure the width of the aperture plus any bevelled edges and add 45mm for the cartridge and 10mm for an overlap to allow the handle bar to make a seal (55mm in total)

Measure the height of the aperture plus any bevelled edges and add 25mm to the top and bottom (50mm total for the side tracks). More can be added if space allows.

*Made-to-Measure - we will make to the exact size you give us.*

Width: Aperture (and bevelled edges) + 55mm of flat surface \_\_\_\_\_ mm

Height: Aperture (and bevelled edges) + 50mm of flat surface \_\_\_\_\_ mm

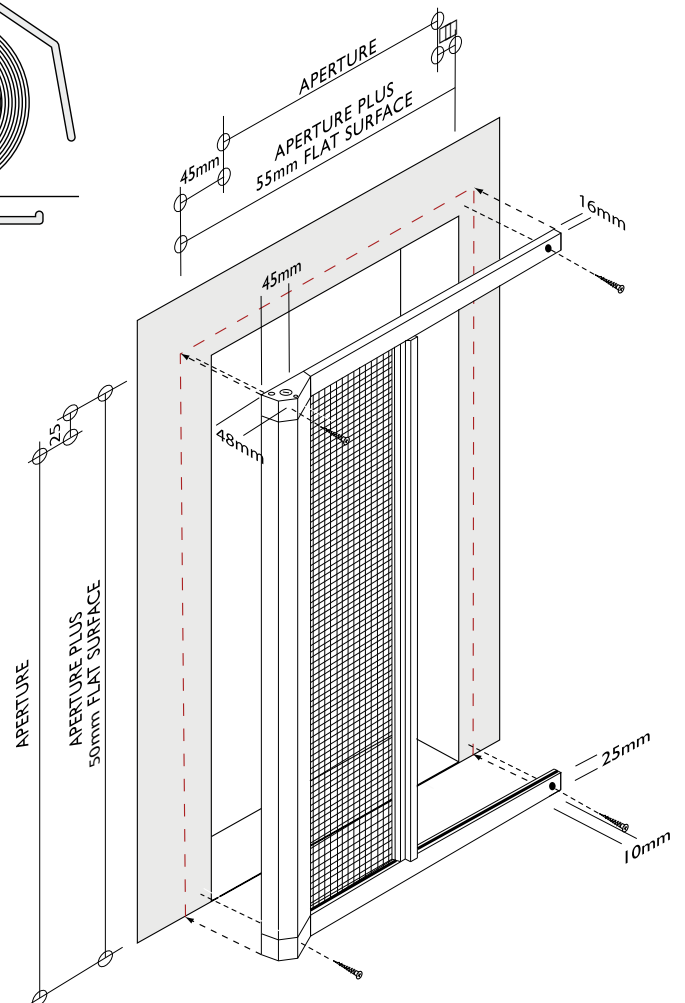
## Measuring Double Doors for Pair of Roller Screens

A pair of Roller Screens will meet in the middle and be held in place by the magnets in each set of side tracks. Brush pile in each handle bar creates a seal between the screens

*Made-to-Measure - we will make to the exact size you give us.*

Width: Aperture (and bevelled edges) + 90mm of flat surface \_\_\_\_\_ mm

Height: Aperture (and bevelled edges) + 50mm of flat surface \_\_\_\_\_ mm



[Go to web page](#)