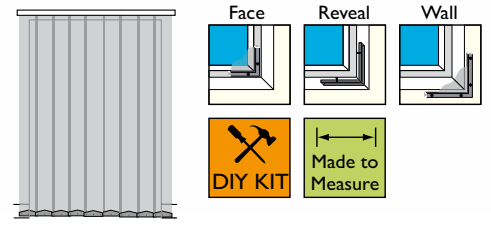




Insect Panel Door Curtain Domestic



[Go to web page](#)

Features

- Consists of a series of weighted mesh panels hung from a track above the door. Plastic weights clip on to each mesh panel.
- Fits inside or outside. If your door opens out the screen will be fitted on the inside and vice versa.
- Grey insect mesh only.
- Available in a variety of options to suit your circumstances; Made-to-measure (supplied ready for you to fit) or DIY Kit (for you to make and fit), reveal or face fit options, screw or adhesive fixing options.

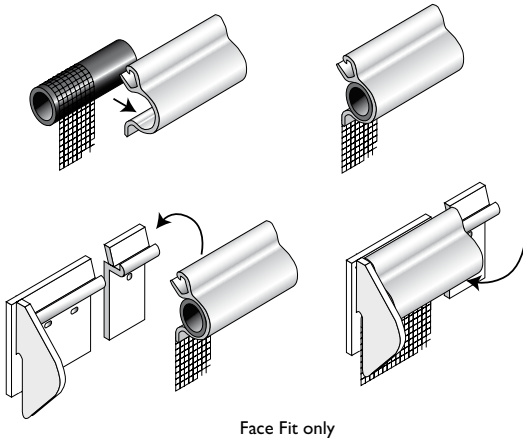
Benefits

- Simple cost effective way of screening doorways.
- Panels are easily parted to provide access through the doorway.
- Panels weighted at the bottom to reduce movement in the wind.
- Easily removed for cleaning or storage.

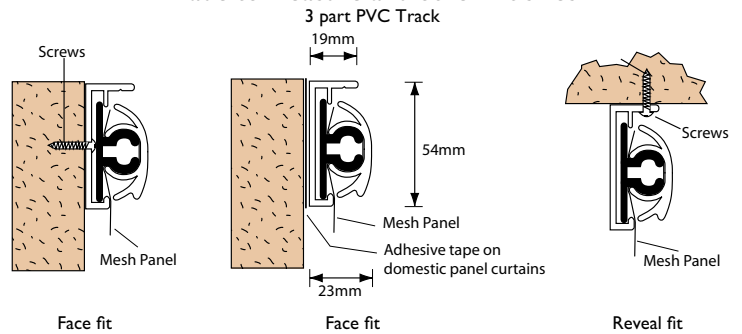


For use in the home		Max	Max			
		Width mm	Height mm	Face Fit only	White track only	Grey mesh panels
Standard Door DIY Kit, 2 part PVC track	950	2200	Face or Reveal Fit	White or Brown track	Grey mesh panels	Screw fix or Tape fixing
DIY Kit, 3 part PVC track	950, 1200, 1500, 1800	2200	Face or Reveal Fit	White or Brown track	Grey mesh panels	Screw fix or Tape fixing
Made-to-measure, 3 part PVC track	Up to 2000	2400	Face or Reveal Fit	White or Brown track	Grey mesh panels	Screw fix or Tape fixing

Standard Door DIY Kit 2 part PVC Track with brackets 950mm x 2200mm



Made to Measure and other kit sizes



Measuring

Measure the width of the aperture plus any bevelled edges on the frame. Add at least 25mm of flat surface on each side to allow for an overlap with the doorway. If fitting to the wall outside the reveal, allow a wider overlap; 50mm or more on each side is suitable.

Measure the height of the aperture, add 54mm for the track and deduct 10mm for clearance above the frame or door sill.

Made-to-measure - we will make to the exact size you tell us.
DIY Kit - order the next larger size kit.

Width: Aperture (and bevelled edges) + 50mm or more of flat surface = _____ mm

Height: Aperture +54mm -10mm = _____ mm



Domestic panel button and weight

3 part PVC Track