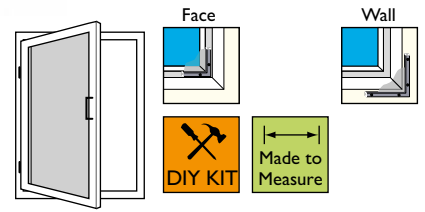




# Aluminium Window Screen

## Domestic/Light Commercial use



### Features

- Face fits, inside or outside, to existing frame, subframe or wall outside the reveal.
- If your window opens out the screen will be fitted on the inside and vice versa.
- Choice of three fitting methods:
- **Top Hinged screen** - held in place by 2 small hinges and 2 turn buttons.
- **Lift-Out screen** - held in place with top and bottom brackets, easy to lift out.
- **Fixed screen** - screw fitted to existing frame or wall.
- Powder coated aluminium frame in white. Grey insect mesh as standard.
- A midbar may be used to provide additional support for larger screens.
- **Stand Off** profile available to clear handles.

### Benefits

- Simple cost effective method of screening windows.
- Easy access to open and close windows.
- Easily removed for cleaning.
- Made-to-measure screen (supplied ready for you to fit) or simple DIY Kit (for you to make and fit).

### Measuring

Measure the width and height of the aperture, plus any bevelled edges on the window frame. Allow space for window handles and fittings which need to fit within the frame of the screen.

Add 25mm of flat surface on each side (for the screen frame to rest against). If you are short of flat surface, you can have as little as 10mm, but the frame will overlap some of the aperture.

Made-to-measure – we will make to the exact size you give us.

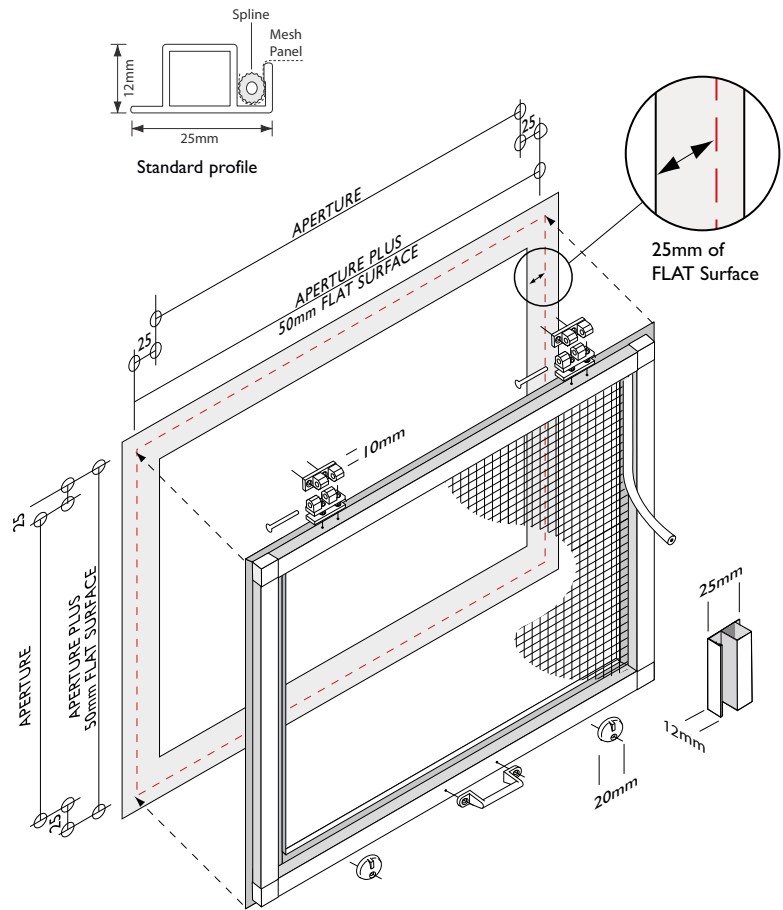
Additionally:

**Hinged screens** - ensure you have an additional 10mm of flat surface to fit hinges and 20mm to fit turn buttons – do not include these amounts in the manufacturing measurements you give us.

**Lift-Out screens** - ensure you have an additional 25mm of flat surface to fit the top bracket and 25mm to fit the bottom bracket - do not include these amounts in the manufacturing measurements you give us.

Width: Aperture (and bevelled edges) + 50mm of flat surface = \_\_\_\_\_ mm

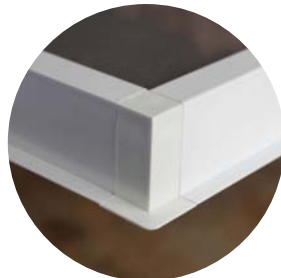
Height: Aperture (and bevelled edges) + 50mm of flat surface = \_\_\_\_\_ mm



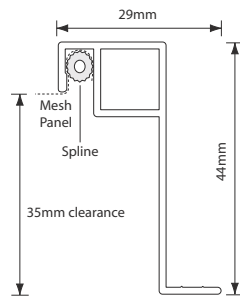
Turn button



Hinge



Stand off profile



Stand off profile

Do you need to build a sub frame?

If the window handle extends more than 10mm beyond the flat surface you will need to build a sub frame around the window to bring the screen away from the window handle when it is closed. Alternatively let the screen rest against the handle (hinged screen), or lift it down (lift-out screen).

Our **Stand-Off** profile provides 35mm of clearance and may be a suitable alternative, please ask for details.



Top and bottom bracket for lift-out screen