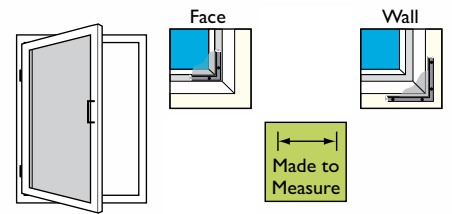




# Aluminium Window Screen

## Domestic/Light use



Go to web page

### Features

- Face fits, inside or outside, to existing frame, subframe or wall outside the reveal. If your window opens out the screen will be fitted on the inside and vice versa.
- 3 options available:
  - Top Hinged screen** - held in place by 2 small hinges and 2 turn buttons.
  - Lift-Out screen** - held in place with top and bottom brackets, easy to lift out.
  - Fixed screen** - screw fitted to existing frame or wall.
- Powder coated aluminium frame in white.
- Grey insect mesh as standard.
- A midbar may be used to provide additional support for larger screens.

### Benefits

- Simple cost effective method of screening windows.
- Easy access to open and close windows.
- Easily removed for cleaning.
- Made-to-measure screen (supplied ready for you to fit) or simple DIY Kit (for you to make and fit).

### Measuring

Measure the width and height of the aperture, plus any bevelled edges on the window frame. Allow space for window handles and fittings which need to fit within the frame of the screen. Add 25mm of flat surface on each side (for the screen frame to rest against). If you are short of flat surface, you can have as little as 10mm, but the frame will overlap some of the aperture. Made-to-measure – we will make to the exact size you give us.

Width: Aperture (and bevelled edges) + 50mm of flat surface = \_\_\_\_ mm

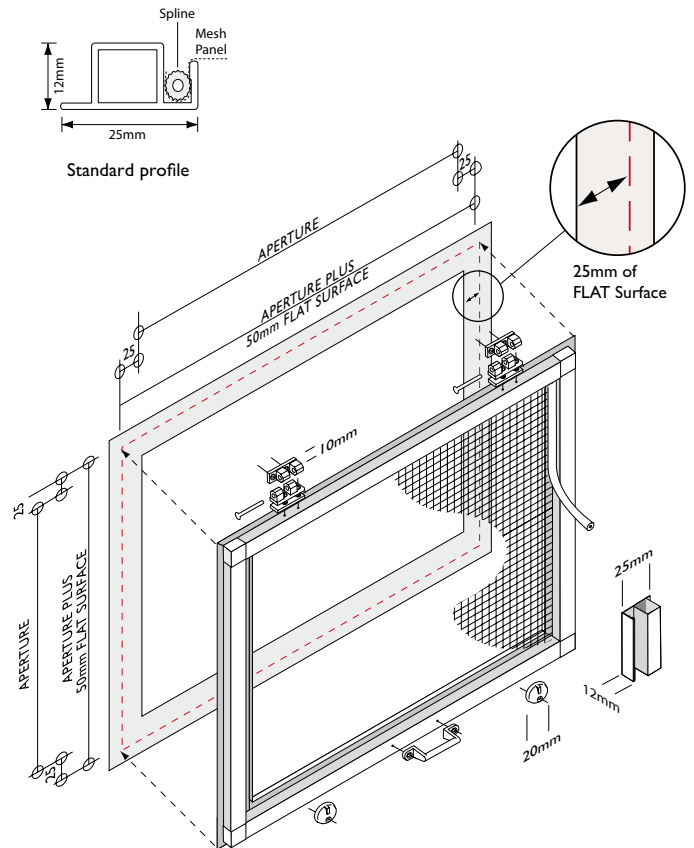
Height: Aperture (and bevelled edges) + 50mm of flat surface = \_\_\_\_ mm

Additionally:

**Hinged screens** ensure you have an additional 10mm of flat surface to fit hinges and 20mm to fit turn buttons – do not include these amounts in the manufacturing measurements you give us.

**Lift-Out screens** ensure you have an additional 25mm of flat surface to fit top bracket and 25mm to fit the bottom bracket - do not include these amounts in the manufacturing measurements you give us.

For handles that protrude more than 10mm from the flat surface either fit a Sub Frame or see our Stand Off Window Screen which has 35mm clearance.



Turn button



Hinge



Top and bottom bracket for Lift-Out screen



White powder coated aluminium frame with black mesh. Available in 3 sizes:

- 850mm x 1050mm
- 1050mm x 1250mm
- 1250mm x 1550mm

NB, some components differ from the made to measure screen