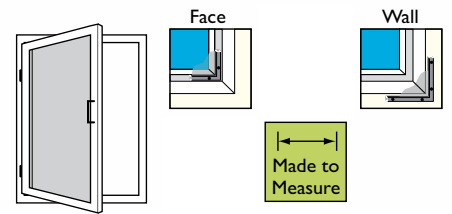




Aluminium Stand Off Window Screen

Domestic/Light use

[Go to web page](#)



Features

- **Stand Off profile screen** - has 35mm clearance for protruding handles
- Face fits, inside or outside, to existing frame, subframe or wall outside the reveal. If your window opens out the screen will be fitted on the inside and vice versa.
- Powder coated aluminium frame in white.
- Grey insect mesh as standard.
- A midbar may be used to provide additional support for larger screens.

Benefits

- Simple cost effective method of screening windows.
- Easy access to open and close windows.
- Easily removed for cleaning.
- Made-to-measure screen (supplied ready for you to fit)

Measuring

Measure the width and height of the aperture, plus any bevelled edges on the window frame. Allow space for your window handles and fittings which need to fit within the frame of the screen.

Add 25mm of flat surface on each side (for the screen frame to rest against).

If you are short of flat surface, you can have as little as 10mm, but the frame will overlap some of the aperture.

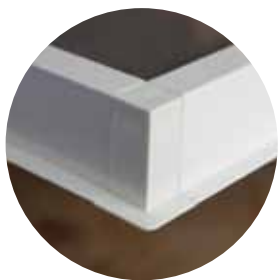
Made-to-measure – we will make to the exact size you give us.

Width: Aperture (and bevelled edges) + 50mm of flat surface = _____ mm

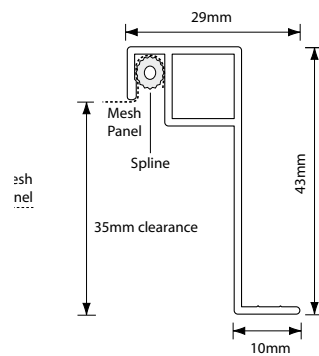
Height: Aperture (and bevelled edges) + 50mm of flat surface = _____ mm

Additionally:

Ensure you have an additional 17mm of flat surface to fit hinges and 20mm to fit turn buttons – do not include these amounts in the manufacturing measurements you give us.



Stand off profile



Stand Off profile



Stand off screen with hinge



Lift off hinge

