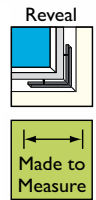
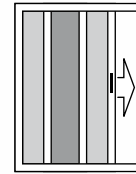




# Aluminium Sliding Window Screens Commercial

[Go to web page](#)



## Features

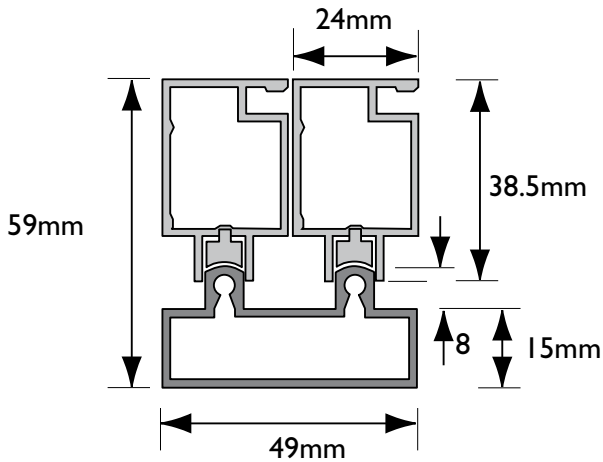
- Consists of 2 or 3 insect screen panels that slide sideways on tracks within a white aluminium outer frame.
- Designed to be reveal fitted.
- A midbar may be fitted for larger screens
- White powder coated aluminium frame.
- Grey insect mesh as standard.

## Benefits

- Heavy duty flyscreen particularly useful for large commercial and industrial kitchen windows with multiple openers, for windows where the screen needs to be placed away from the window or to mirror a window that slides sideways.
- Easy access to open and close windows.
- Easily removed inner panes for cleaning.
- Made-to-measure (supplied ready for you to fit).

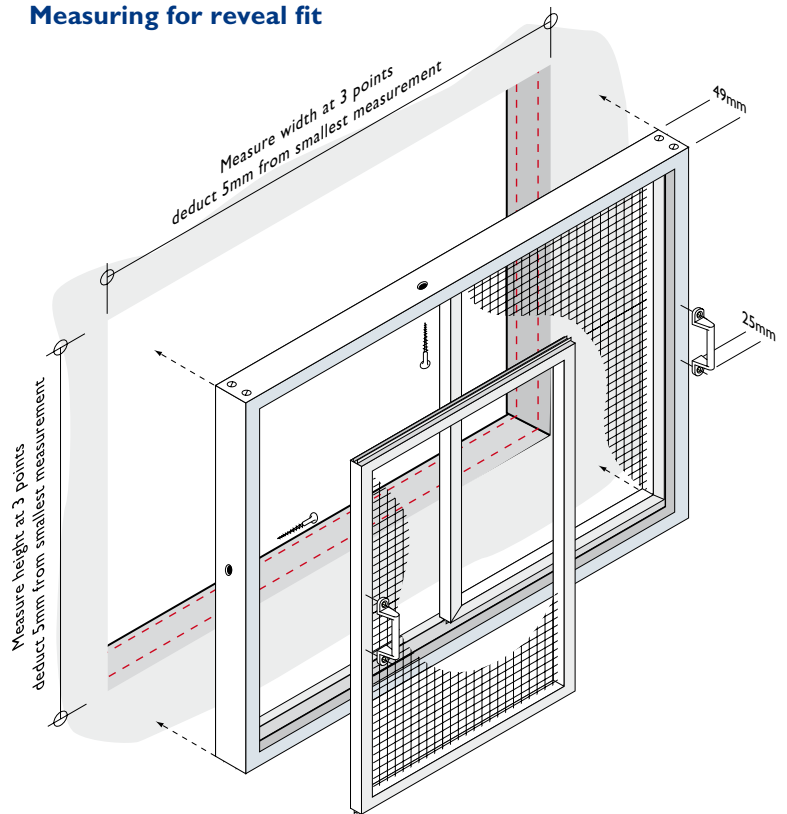


Sliding Frame Profiles



Outer Frame Profile

## Measuring for reveal fit



## Measuring for Reveal Fit

Measure the minimum width of the reveal; we suggest you take three measurements – bottom, middle and top. Deduct 5mm from the smallest measurement.

Measure the minimum height of the reveal; we suggest you take three measurements – left, middle and right. Deduct 5mm from the smallest measurement.

Gaps can be sealed with silicone during installation.

Made-to-Measure - we will make to the exact size you give us.

Width: Smallest aperture measurement less 5mm = \_\_\_\_\_ mm

Height: Smallest aperture measurement less 5mm = \_\_\_\_\_ mm

**Note:** This product should be reveal fitted.

If you want to fit outside the reveal, you will need to create a reveal by fitting a timber frame.

