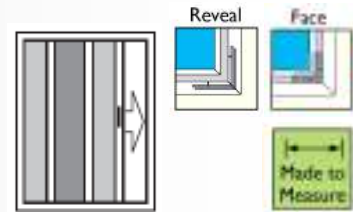


Sliding Screen System for panoramic doors and windows



Features

This unique sliding screen system can be reveal fitted or face fitted on the outside or inside of sliding doors, opening patio doors and windows.

Each single pane can be made up to 2 metres wide by 2.5 metres high.

The frame can be painted to match your door and window frames.

Grey insect mesh is used to allow the most amount of light in to your home, without restricting your view.

Benefits

A complete system can be made from one or more panes to mirror the arrangement of the doors or windows being screened.

The system is ideal for use with large openings allowing you to enjoy uninterrupted views.

Opening and closing the panes is made easy by high quality rollers and ball bearings, enabling the screens to glide effortlessly.

The screens are custom made to precise measurements to ensure the best possible fit.

The screens close forming a perfect seal to keep flying insects out of your home.

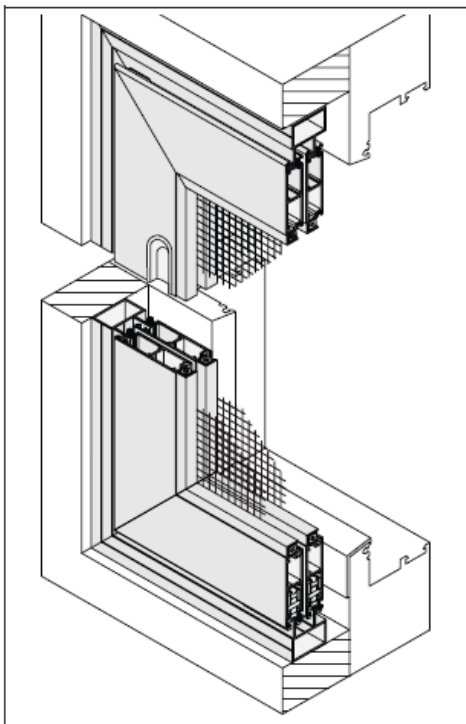


Measuring and Installation

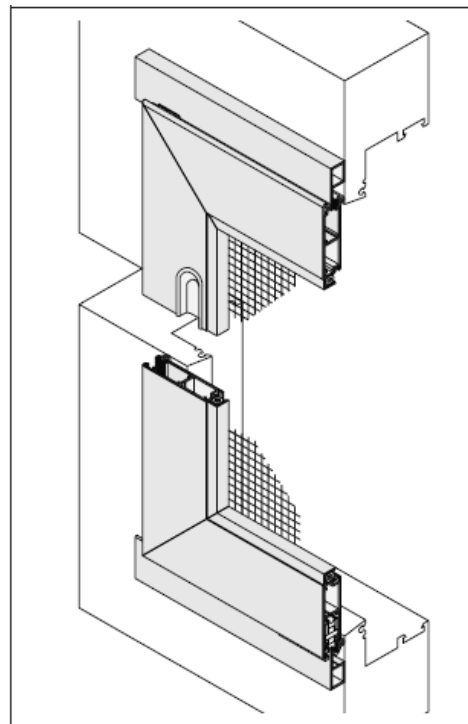
This system has been well designed to provide a variety of fitting options to suit your doors and windows.

We are happy to advise you on the options available and can provide detailed section drawings and appropriate measuring guidance.

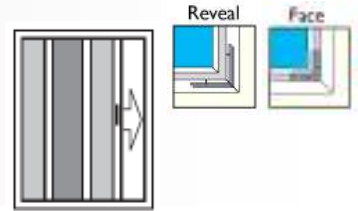
Reveal Fitted Sliding Screen



Face Fitted Sliding Screen

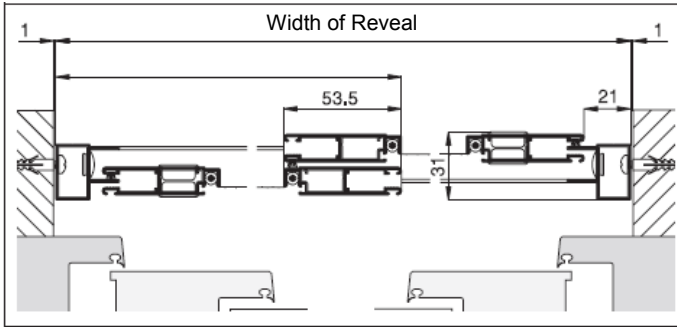


Sliding Screen System for panoramic doors and windows

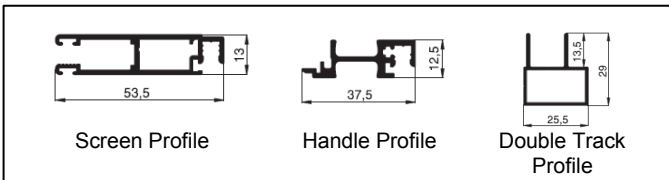


Reveal Fit Profile Dimensions

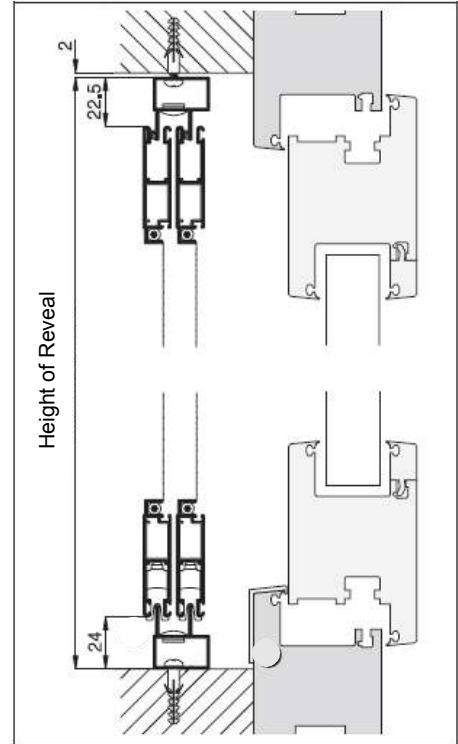
Horizontal View



Profiles

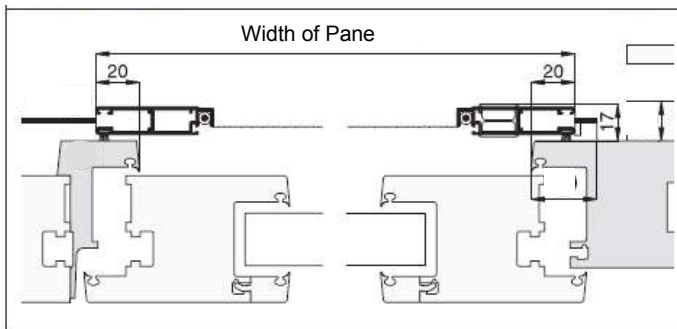


Vertical View

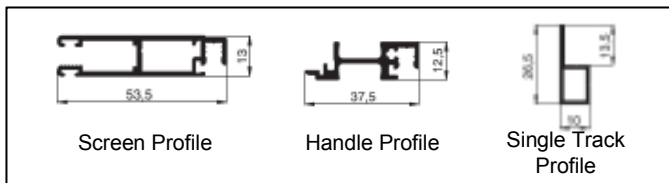


Face Fit Profile Dimensions

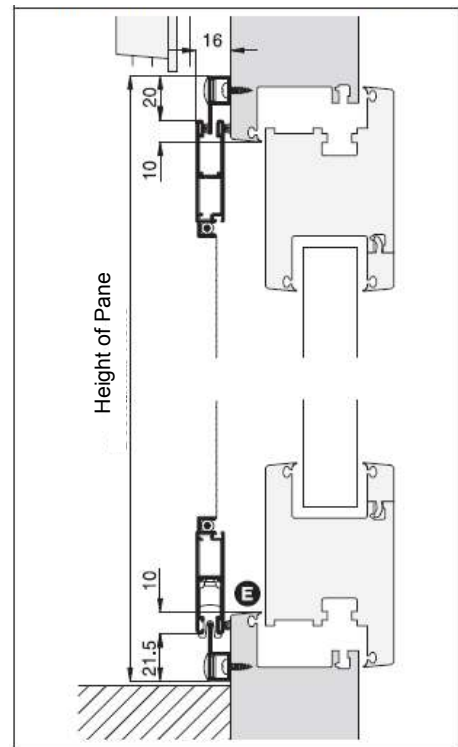
Horizontal View



Profiles



Vertical View



Handle Section

Screen Profile and Handle Profile join together to give more support to larger screens.

