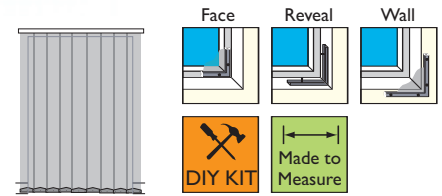


Insect Panel Door Curtain Domestic



Features

Consists of a series of weighted mesh panels hung from a track above the door. Fits inside or outside. If your door opens out the screen will be fitted on the inside and vice versa.

Grey insect mesh only.

Available in a variety of options to suit your circumstances; Made-to-measure (supplied ready for you to fit) or DIY Kit (for you to make and fit), reveal or face fit options, screw or adhesive fixing options.

Benefits

Simple cost effective way of screening doorways.

Panels are easily parted to provide access through the doorway.

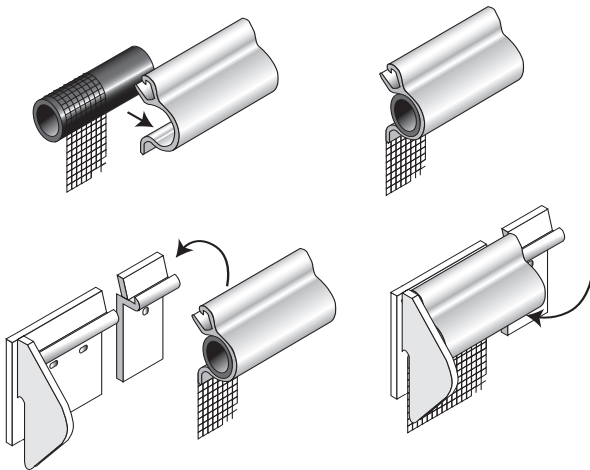
Panels weighted at the bottom to reduce movement in the wind.

Easily removed for cleaning or storage.

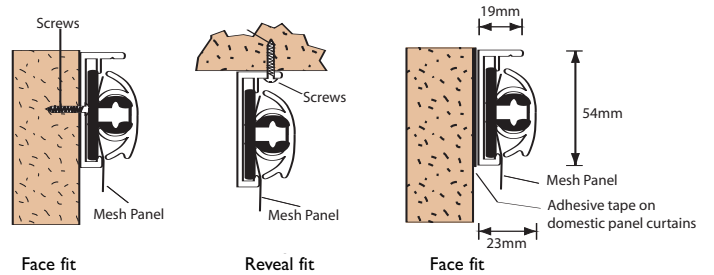


For use in the home

	Max Width mm	Max Height mm				
DIY Kit, 2 part PVC track	640 Caravan door 950 Standard door	1800 2200	Face Fit only	White track only	Grey mesh panels	Screw fix or adhesive pads
DIY Kit, 3 part PVC track	950, 1200, 1500, 1800	2200	Face or Reveal Fit	White or Brown track	Grey mesh panels	Screw fix or Tape fixing
Made-to-measure, 3 part PVC track	Up to 2000	2400	Face or Reveal Fit	White or Brown track	Grey mesh panels	Screw fix or Tape fixing



2 part PVC Track



3 part PVC Track

Measuring

Measure the width of the aperture plus any bevelled edges on the frame. Add at least 25mm of flat surface on each side to allow for an overlap with the doorway. If fitting to wall outside the reveal, allow a wider overlap; 50mm or more on each side is suitable.

Measure the height from the top of the door frame to the threshold or floor and deduct 10mm to allow for clearance.

Made-to-measure - we will make to the exact size you tell us.

DIY Kit - order the next larger size kit.

Width: Aperture (and bevelled edges) + 50mm or more of flat surface = ____ mm

Height: Top of door frame to floor or threshold - 10mm = ____ mm



Domestic panel button and weight



3 part PVC Track