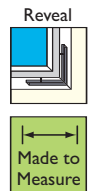
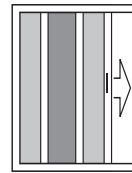


Aluminium Sliding Window and Door Screens Commercial



Features

Consists of 2, 3 or 4 insect screen panels that slide sideways on tracks within an Aluminium Frame.

Reveal fitted within the window or door reveal, away from the existing window or door. Can also be fitted outside the reveal.

50mm deep Aluminium Frame fits around all four sides of the reveal to provide a secure frame work for the sliding screens.*

A midbar is used to provide additional support for all sliding screens 1500mm high and higher.

White powder coated aluminium frame.

Grey insect mesh as standard.

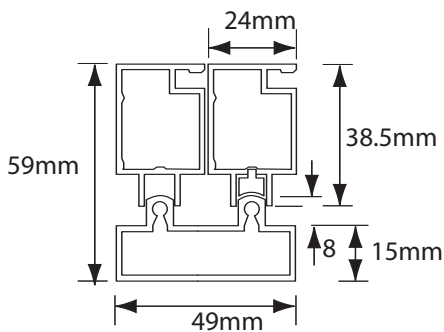
Benefits

Heavy duty flyscreen particularly useful; for commercial kitchen windows, for awkward windows where the screen needs to be placed away from the window, to mirror a window that slides sideways, for windows with a number of openers and for patio doorways.

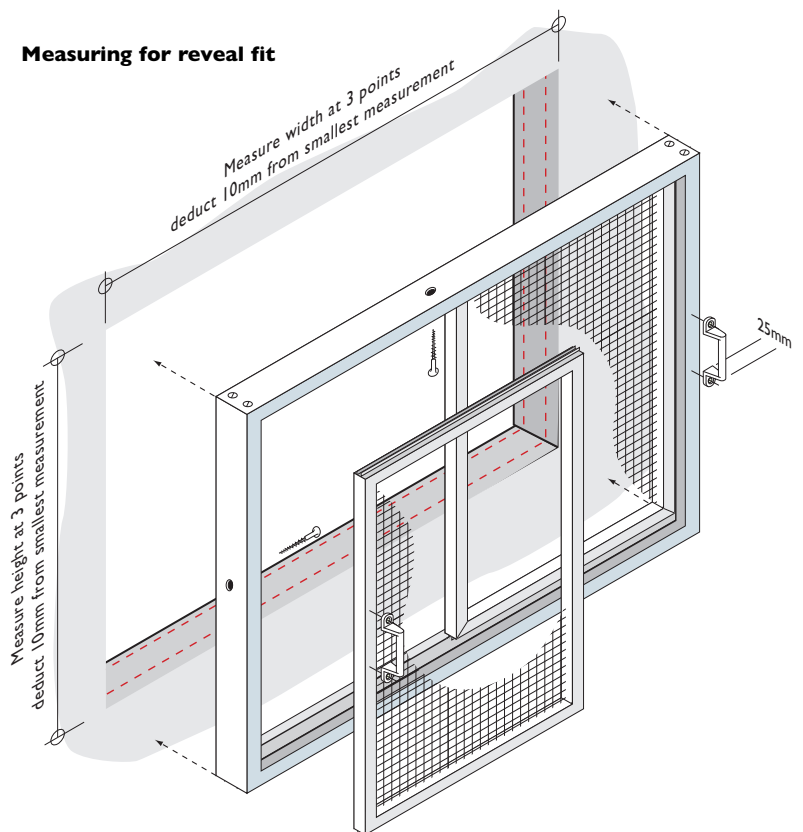
Easy access to open and close windows and doors.

Easily removed for cleaning.

Made-to-measure (supplied ready for you to fit).



Measuring for reveal fit



Measuring for Reveal Fit

Measure the minimum width of the reveal; we suggest you take three measurements – bottom, middle and top. Deduct 10mm from the smallest measurement.

Measure the minimum height of the reveal; we suggest you take three measurements – left, middle and right. Deduct 10mm from the smallest measurement.

We will make to the exact size you tell us.

Width: Smallest aperture measurement less 10mm = ____ mm

Height: Smallest aperture measurement less 10mm = ____ mm

To Face Fit outside the reveal

The back panel of the screen will rub against the wall as it slides, so a small subframe needs to be fitted between the wall and the screen - 15mm deep is fine. We suggest you make the screen 20mm larger than the aperture all round to avoid fixing too close to the edge of the reveal.

*Doorway threshold

The aluminium sliding door has a section of track along the bottom, which will be fitted to the floor when the screen frame is installed. This track could be a hazard or restrict access through the doorway. If the track gets damaged, the screen may not work.

